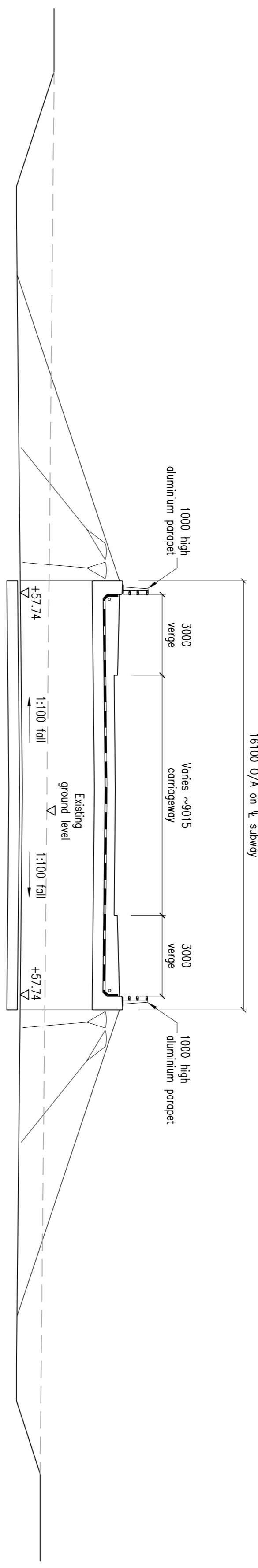
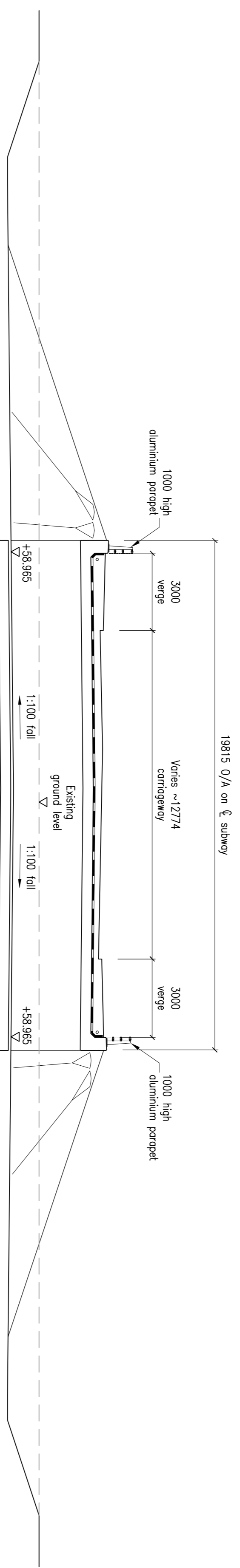


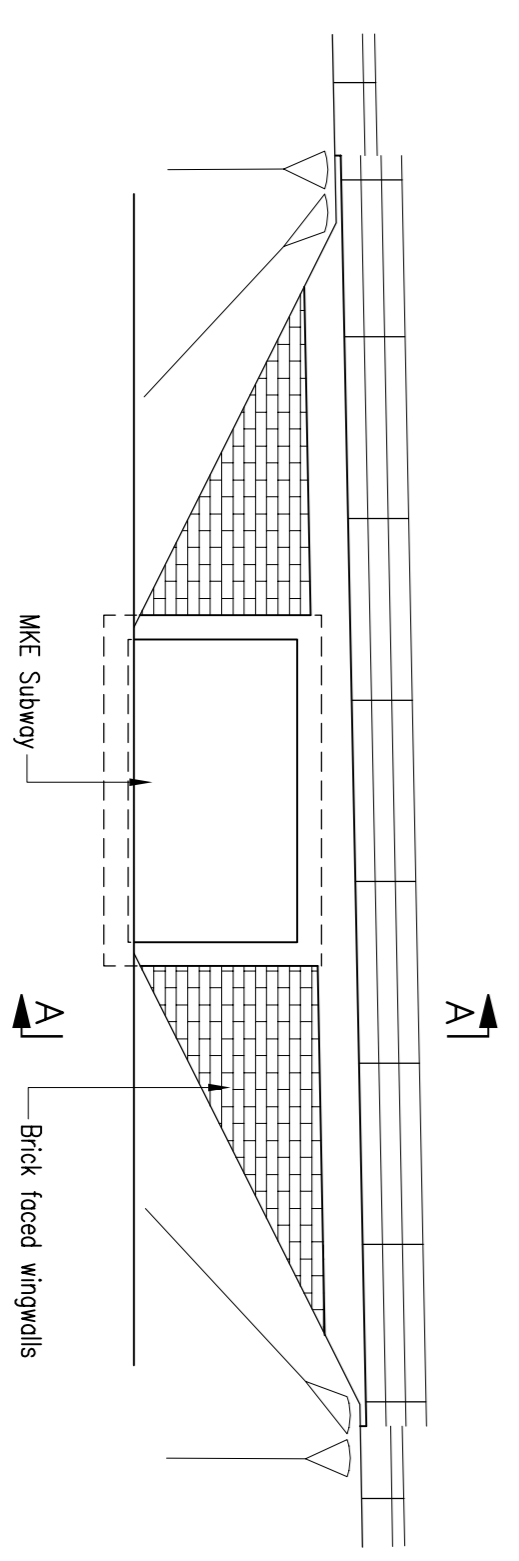
MKE SUBWAY 4 LONG SECTION
1:125



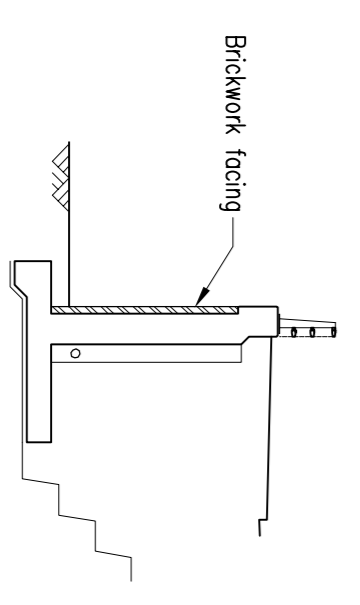
MKE SUBWAY 5 LONG SECTION
1:125



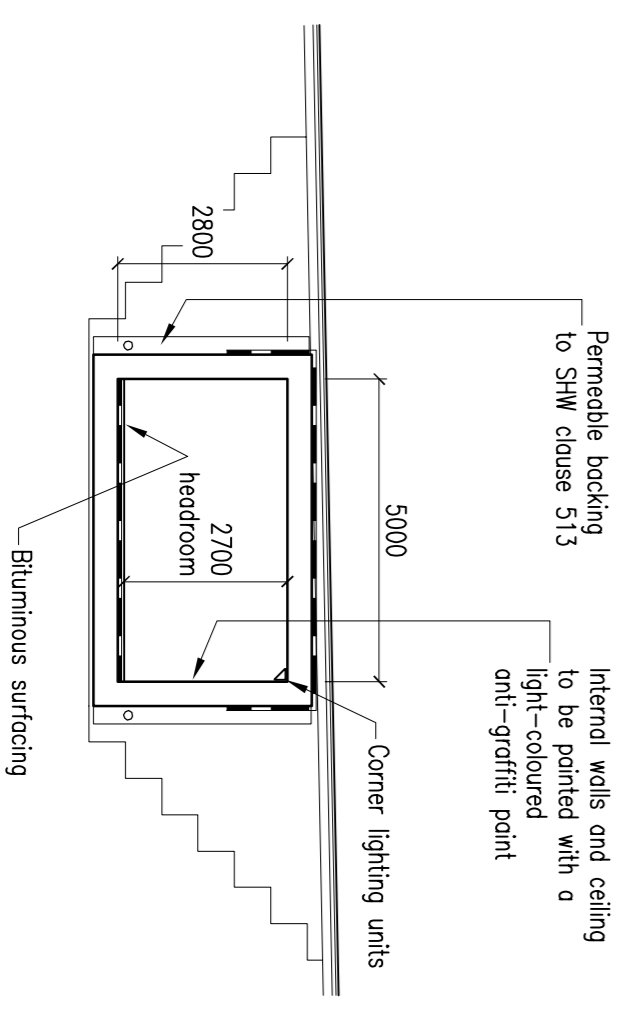
MKE SUBWAY 7 LONG SECTION
1:125



TYPICAL HEADWALL ELEVATION
1:125



SECTION A-A
1:125



TYPICAL SUBWAY CROSS SECTION
1:125

- NOTES**
1. ALL DIMENSIONS ARE IN MILLIMETERS UNLESS NOTED OTHERWISE.
 2. ALL LEVELS ARE IN METERS TO ORDNANCE DATUM UNLESS NOTED OTHERWISE.

REV	DATE	BY	DESCRIPTION	ISSUED TO
P01	26/03/21	CPW	INITIAL ISSUE	JSCS JSCS

ISSUING STATUS
S2-FOR INFORMATION

WSP

Moulton House, Basing View, Basingstoke, RG24 4HL, UK
T: +44 (0) 1256 318 800, F: +44 (0) 1256 318 700
wsp.com

CLIENT:
BERKELEY STRATEGIC

PROJECT:
MILTON KEYNES EAST

TITLE:
MKE SUBWAYS 4, 5 & 7
SHEET 2 ELEVATIONS & SECTIONS

SCALE @:	CHECKED:	APPROVED:
AS SHOWN	JSCS	PD

PROJECT NO:	ISSUE:	ISSUED BY:	DATE:
70014859	JSCS	CPW	March 21

DRAWING NO:	REV:
MKE-WSP-CBR-SW457-DR-BR-002	P01