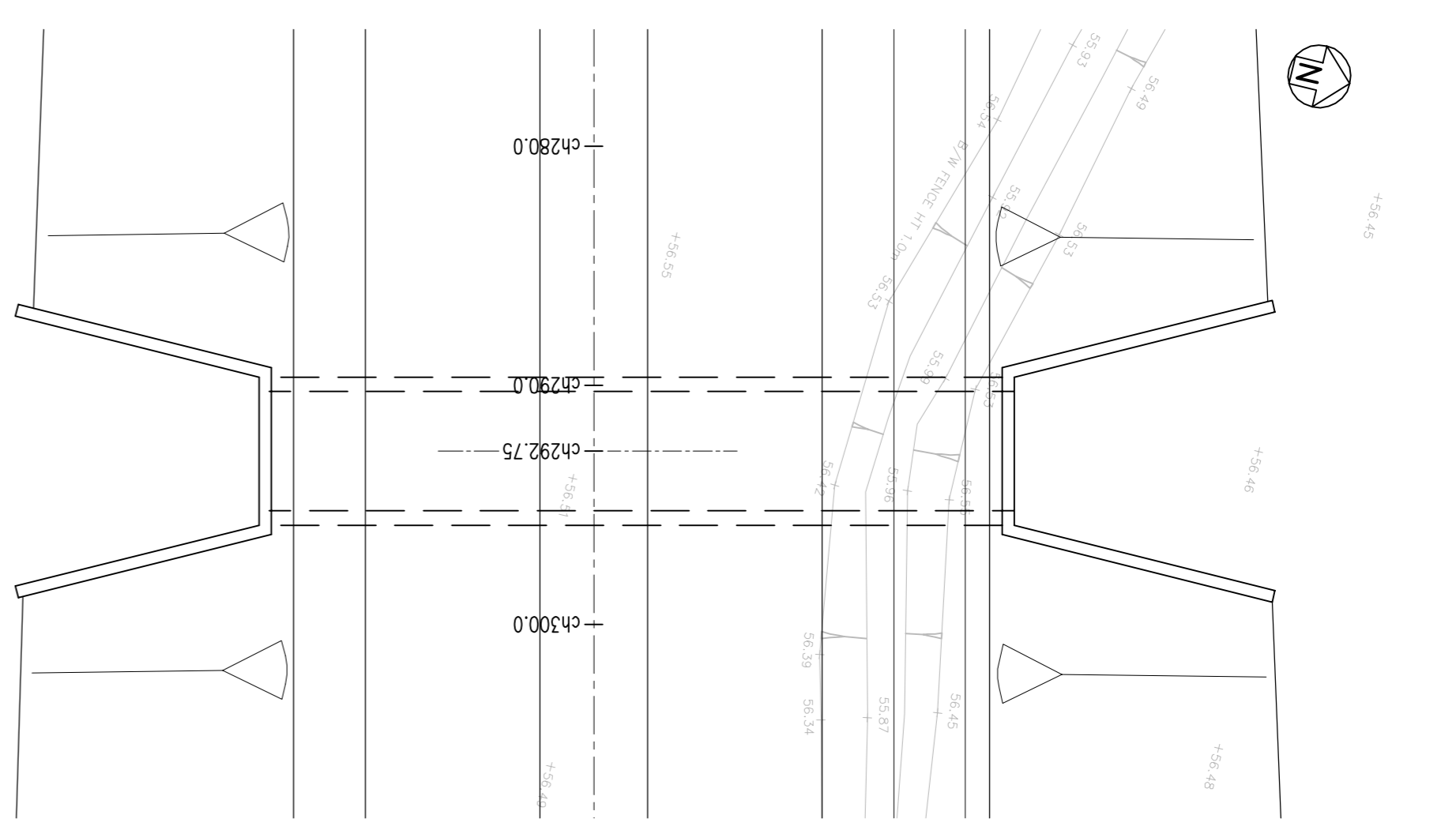
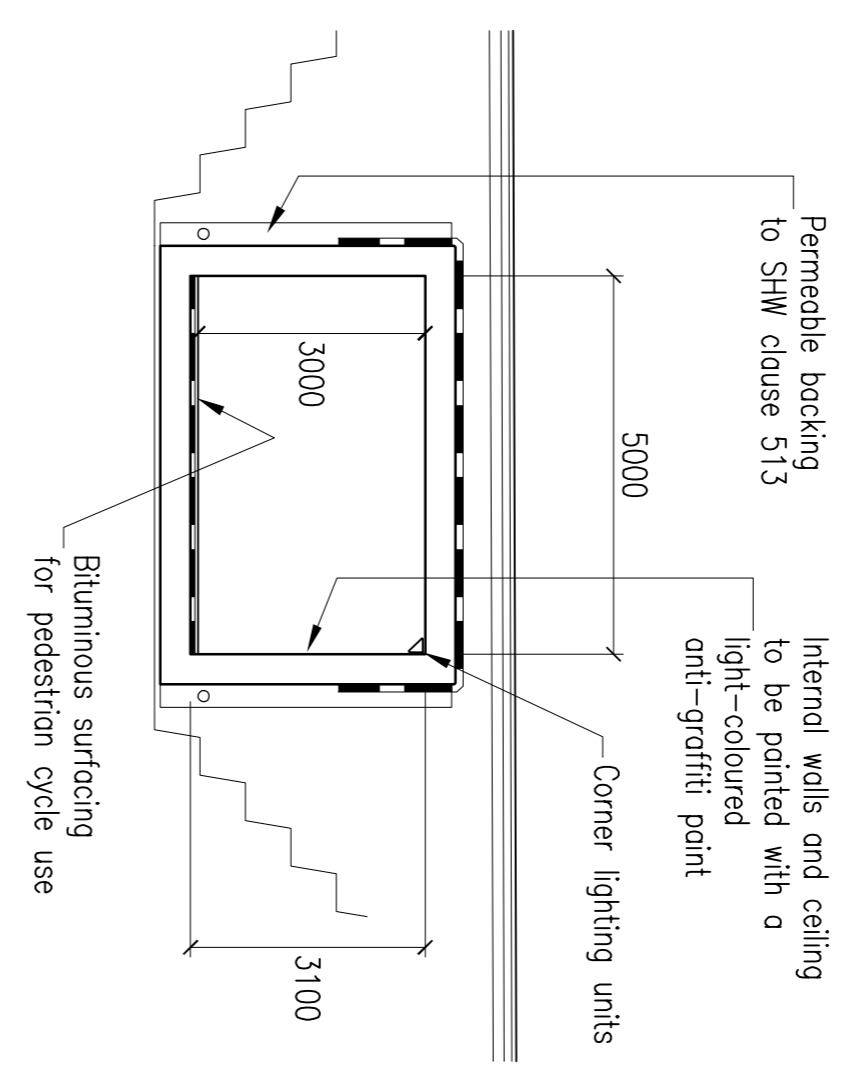


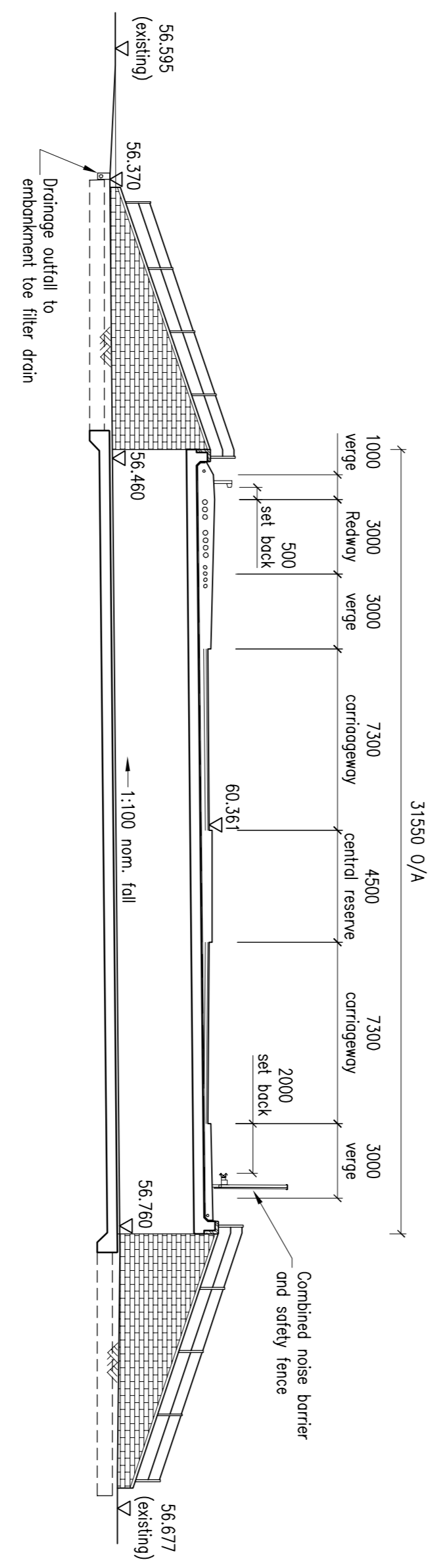
MKE FLOOD RELIEF CULVERT 1



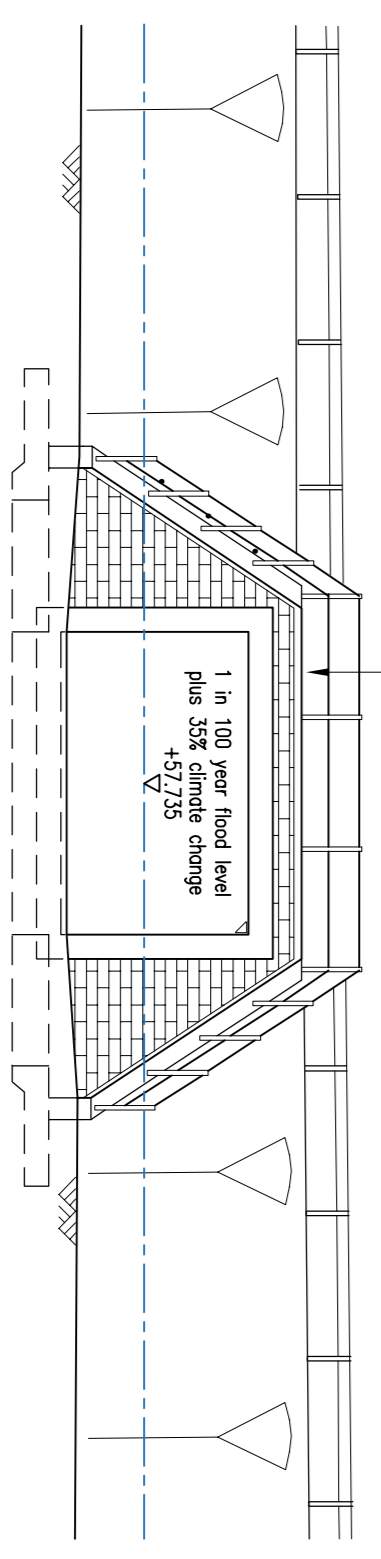
PLAN
1:250



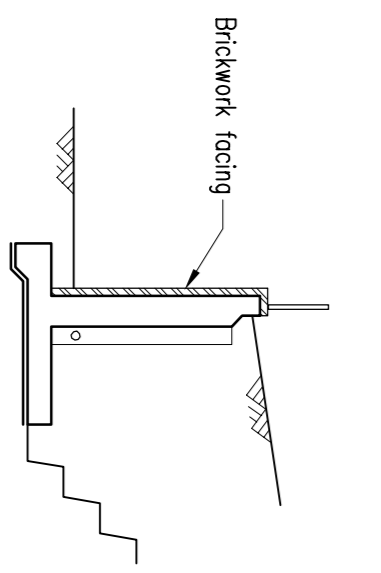
CULVERT CROSS SECTION
1:100



CULVERT LONG SECTION
1:200

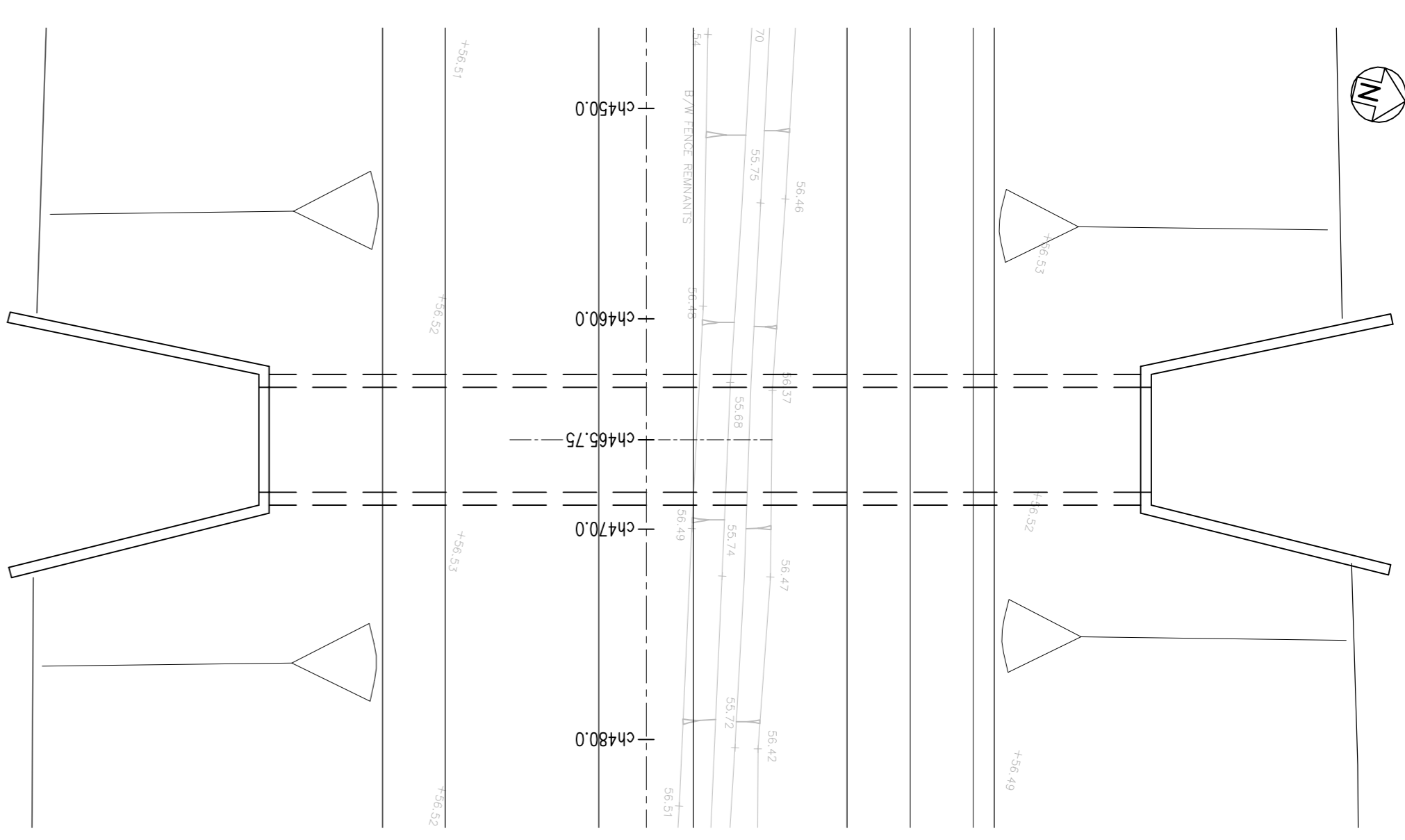


NORTH HEADWALL ELEVATION
1:125

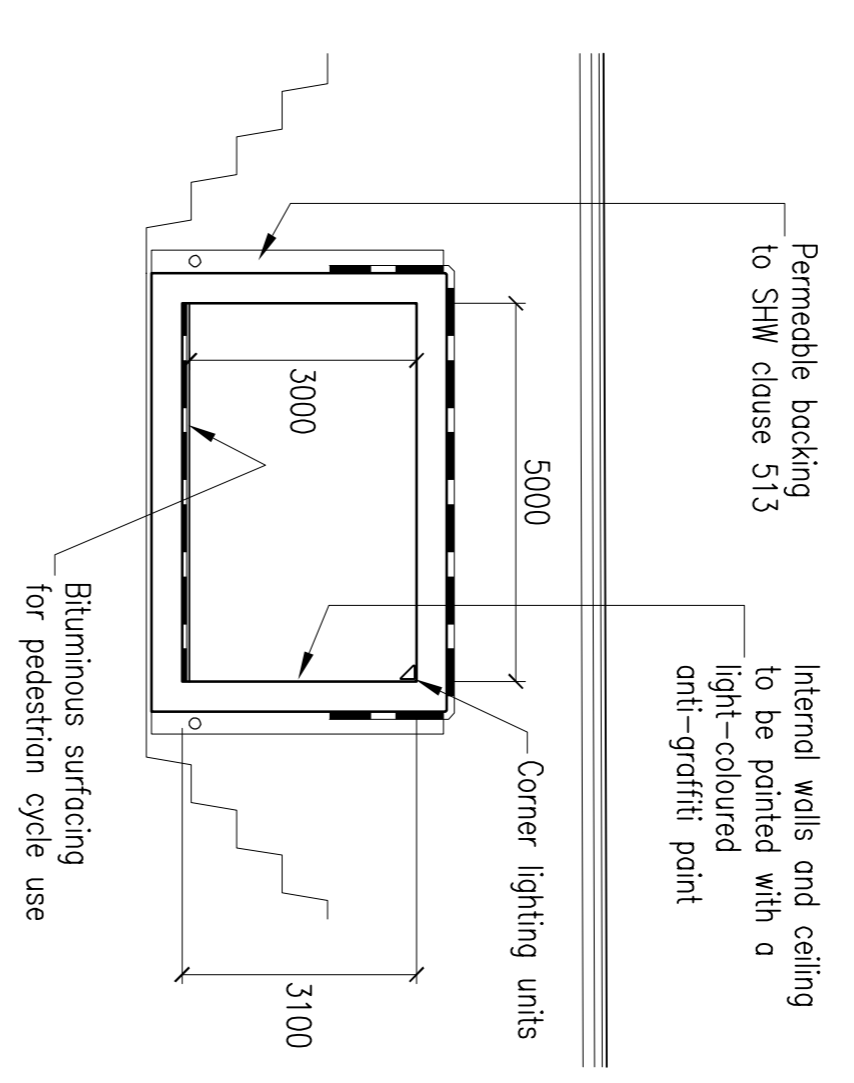


WINGWALL CROSS SECTION
1:125

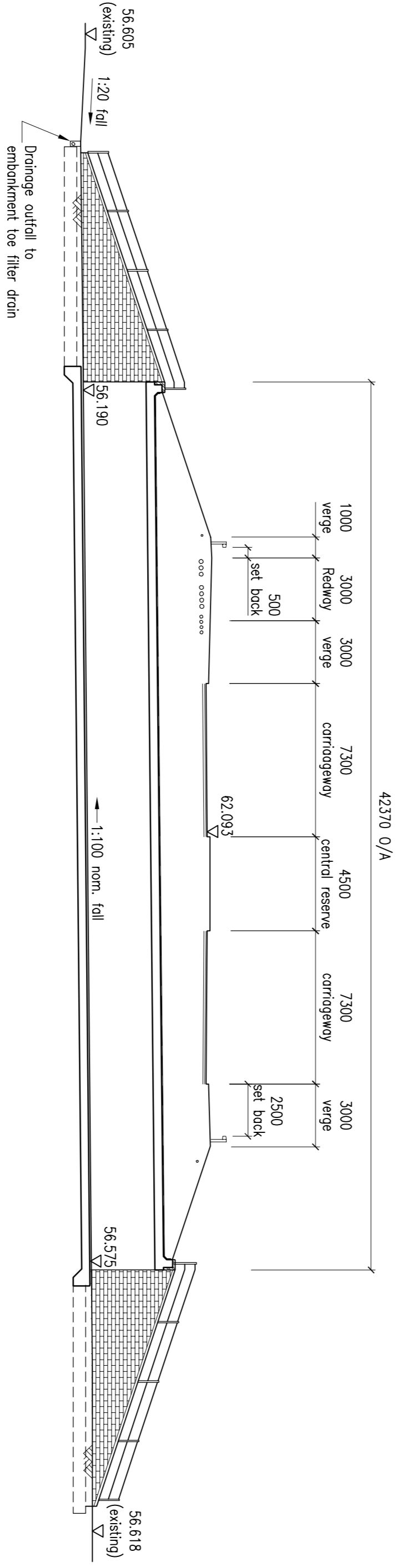
MKE FLOOD RELIEF CULVERT 2



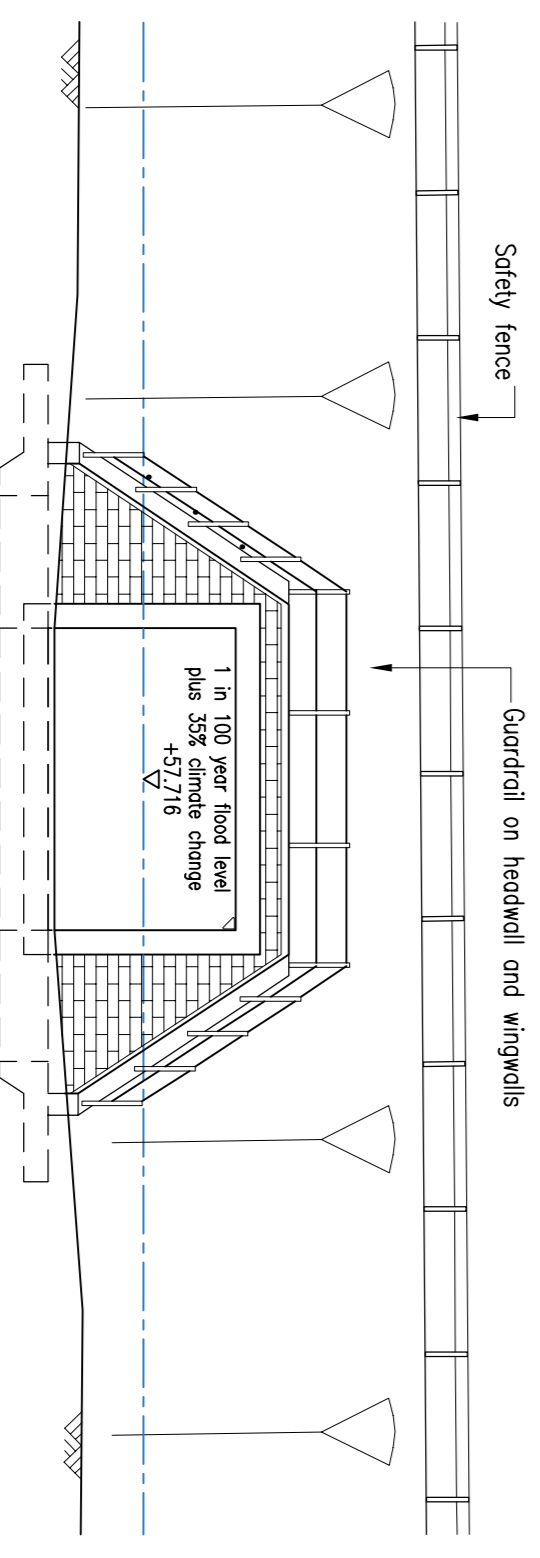
PLAN
1:250



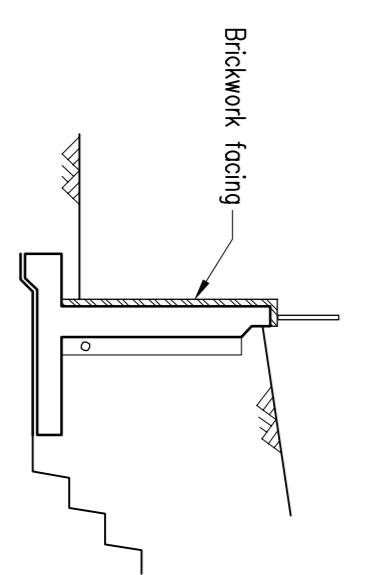
CULVERT CROSS SECTION
1:100



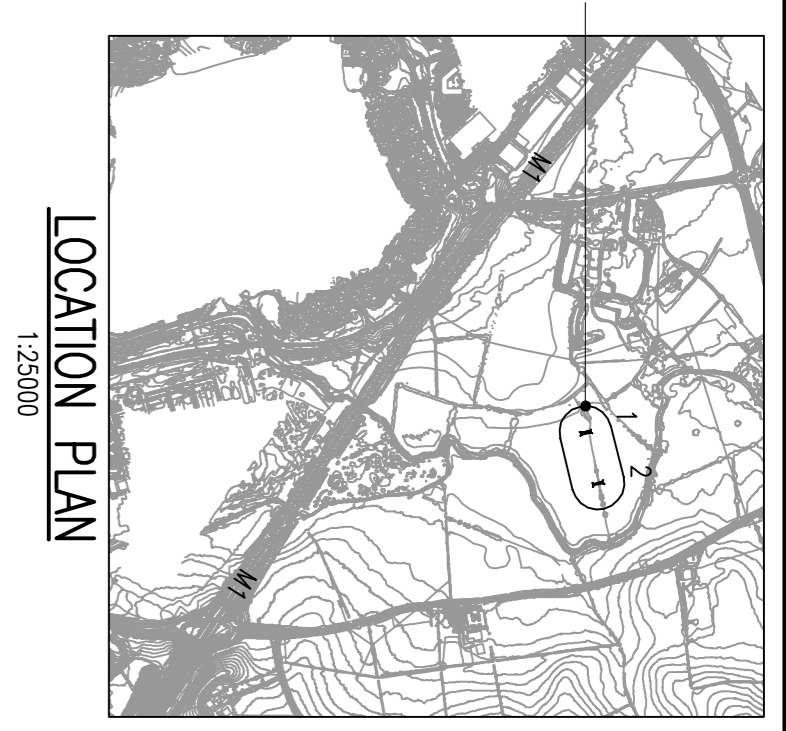
CULVERT LONG SECTION
1:200



NORTH HEADWALL ELEVATION
1:125



WINGWALL CROSS SECTION
1:125



LOCATION PLAN
1:25000

- NOTES**
1. ALL DIMENSIONS ARE IN MILLIMETERS UNLESS NOTED OTHERWISE.
 2. ALL LEVELS ARE IN METERS TO ORDNANCE DATUM UNLESS NOTED OTHERWISE.
 3. THE REQUIREMENT FOR A NOISE BARRIER ON THE STRUCTURE IS TO BE REVIEWED AT DETAILED DESIGN STAGE.

DRAWING STATUS		S24 FOR INFORMATION	
NO.	DATE	BY	DESCRIPTION
P02	26/03/21	AWT	NOTE 3 ADDED
P01	11/03/21	CPW	INITIAL ISSUE
REV	DATE	BY	DESCRIPTION
CHK	APP		

SCALE AT:	AS SHOWN	CHECKED:	JSCS	APPROVED:	PD
PROJECT NO:	70014859	ISSUED:	JSCS	DRAWN:	CPW
DRAWN BY:	MKE-WSP-CBR-FR-DR-BR-001	DATE:	February 21	REV:	P02

CLIENT:	BERKELEY STRATEGIC
PROJECT:	MILTON KEYNES EAST
TITLE:	MKE FLOOD RELIEF CULVERTS 1 & 2

MANUFACTURE HOUSE:	Basing View, Basingstoke, RG24 4HL, UK
TEL:	+44 (0) 1256 318 800, +44 (0) 1256 318 700
WWW:	wsp.com