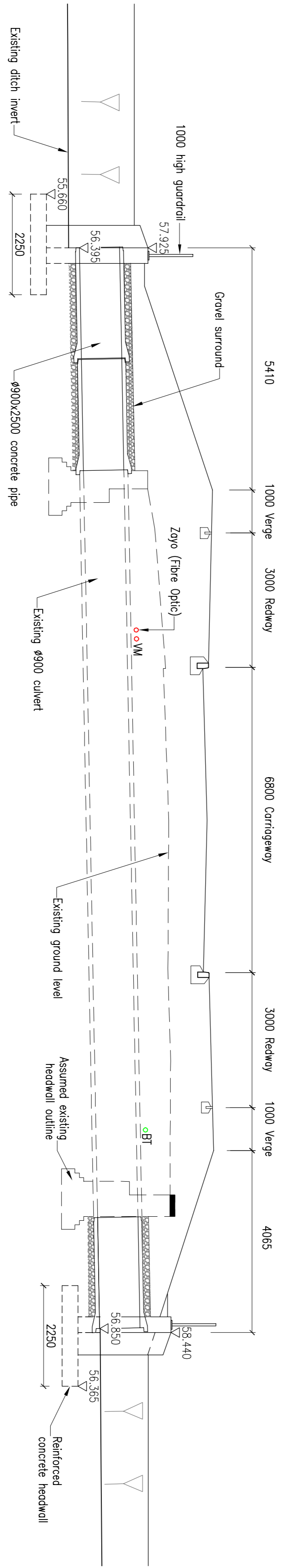
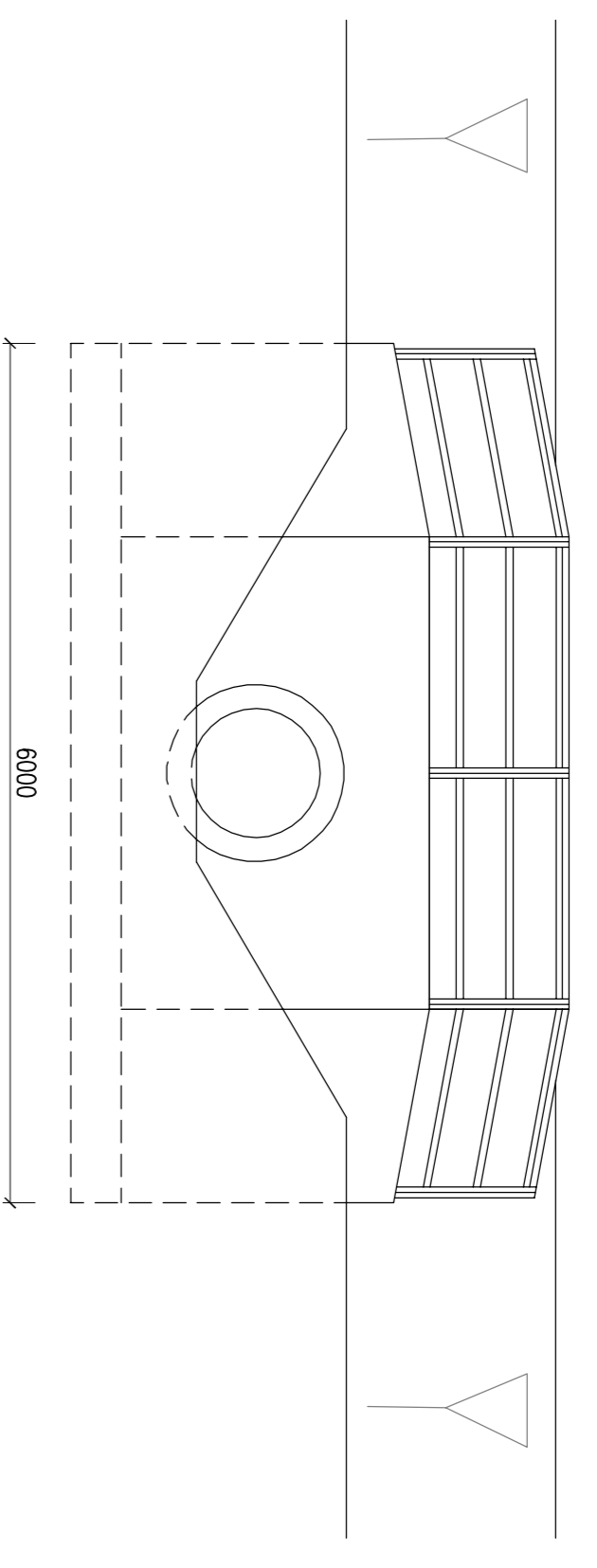


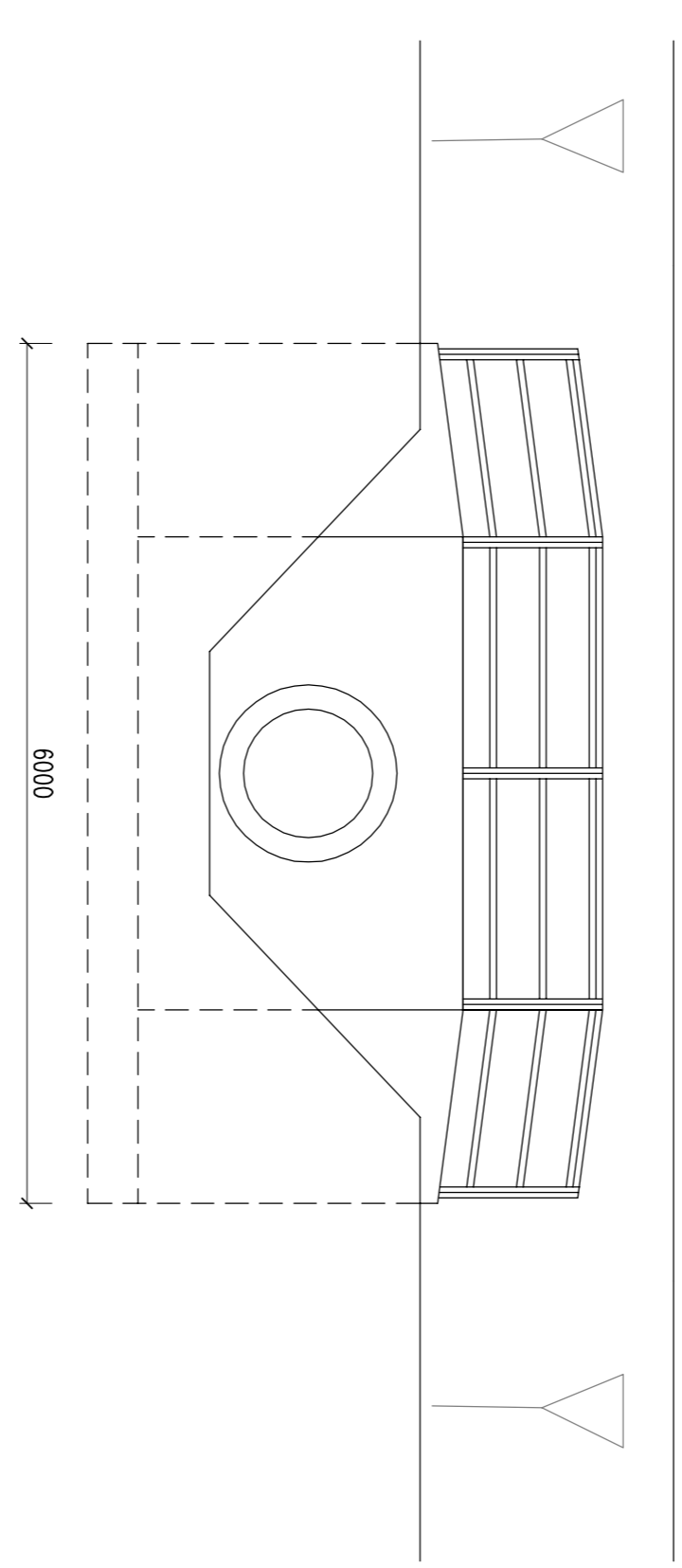
W  
+3.



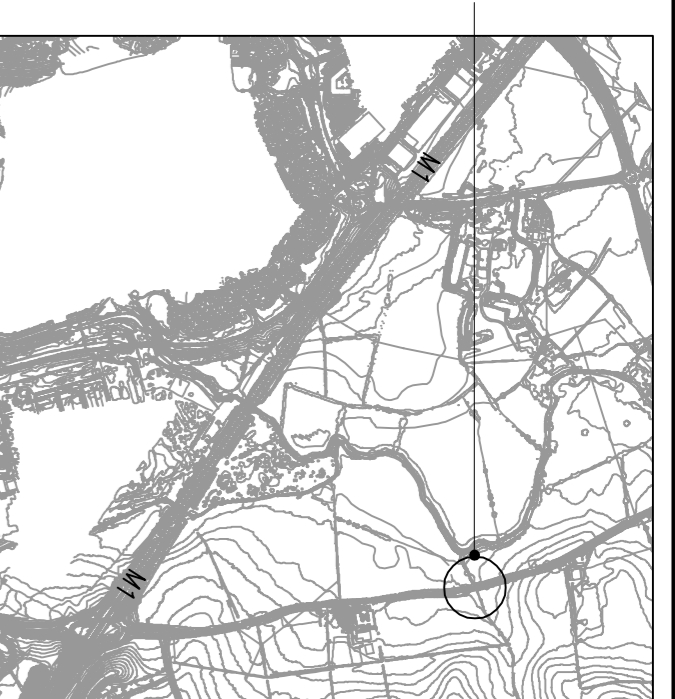
CULVERT LONG SECTION A-A  
1:75



EAST ELEVATION  
1:30



WEST ELEVATION  
1:30



LOCATION PLAN  
1:25000

Existing Road 4500 London Road  
Grid Reference: 97 880 420  
Scheme Link Reference: 310

- NOTES
1. ALL DIMENSIONS ARE IN MILLIMETERS UNLESS NOTED OTHERWISE.
  2. ALL LEVELS ARE IN METERS TO ORDNANCE DATUM UNLESS NOTED OTHERWISE.
  3. SERVICES INFORMATION BASED ON C2 RETURNS DATED NOVEMBER 2020 ONLY.

PO2	26/03/21	AWT	GENERAL REVISIONS	RBP	JSCS
PO1	11/03/21	AWT	INITIAL ISSUE	RBP	JSCS
REV	DATE	BY	DESCRIPTION	CHK	APP

SE4-FOR INFORMATION



Moulton House, Basing View, Basingstoke, RG24 4HL, UK  
T: +44 (0) 1256 318 800, F: +44 (0) 1256 318 700  
wsp.com

CLIENT: BERKELEY STRATEGIC

PROJECT: MILTON KEYNES EAST

TITLE: MKE CULVERT 3

SCALE @ A1:	CHECKED:	JSCS	APPROVED:	PD
PROJECT NO:	ISSUE:	RBP	DATE:	March 21
70014859				

DRAWING NO: MKE-WSP-CBR-C3-DR-BR-001

© WSP UK Ltd